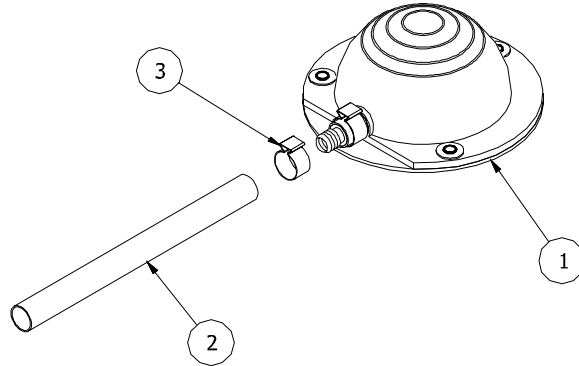


Air Foot Switch

44225800



ITEM	QTY	PART NUMBER	DESCRIPTION
1	1	04576900	Pressure Transmitter
2	1	04577100	Neoprene Air Hose 8' Lg x 7/16
3	1	04652700	Clamp, Stepless Ear 1/2"