

Model 300 Frame Assy 04217000

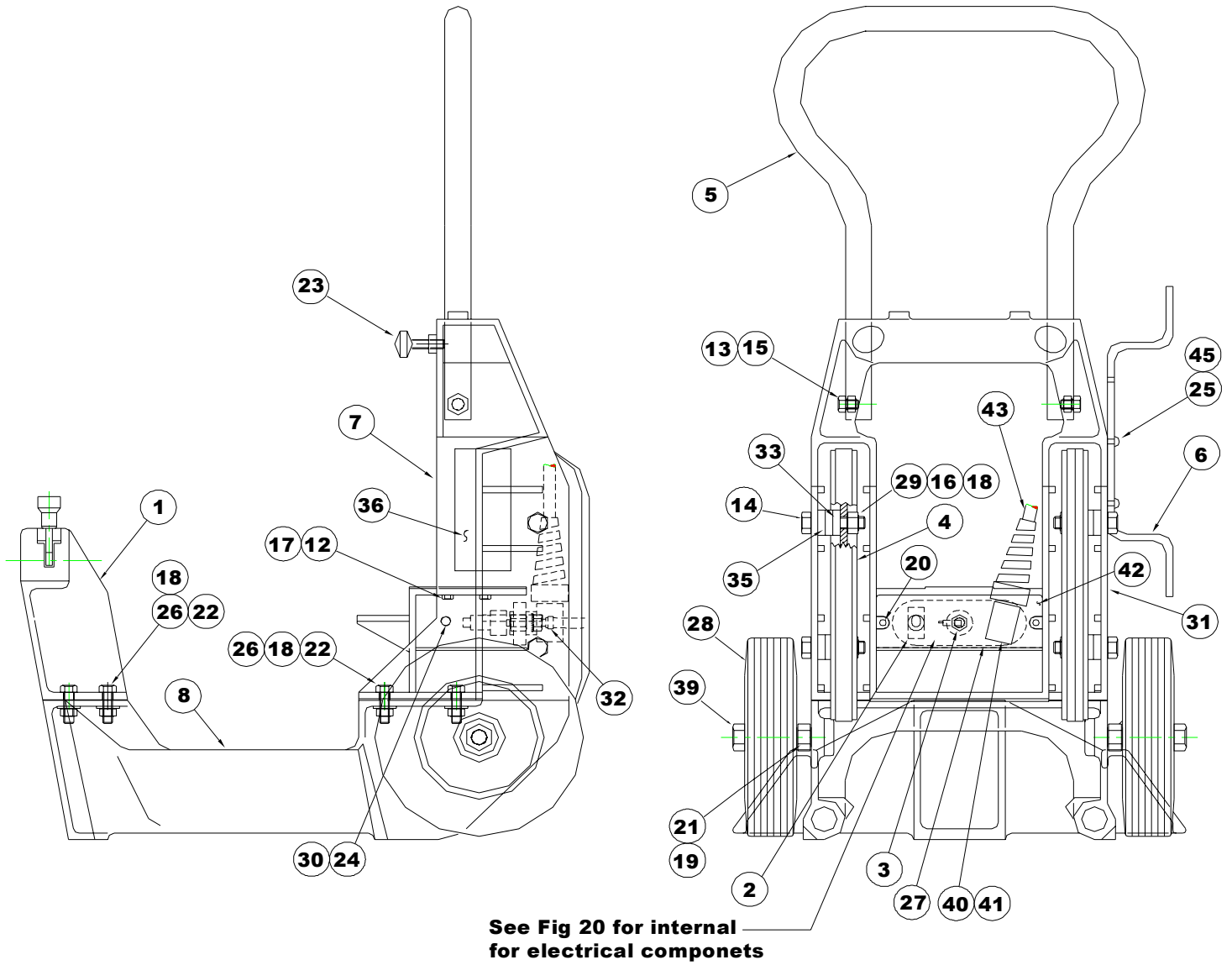


Figure 19



Wiring Diagram

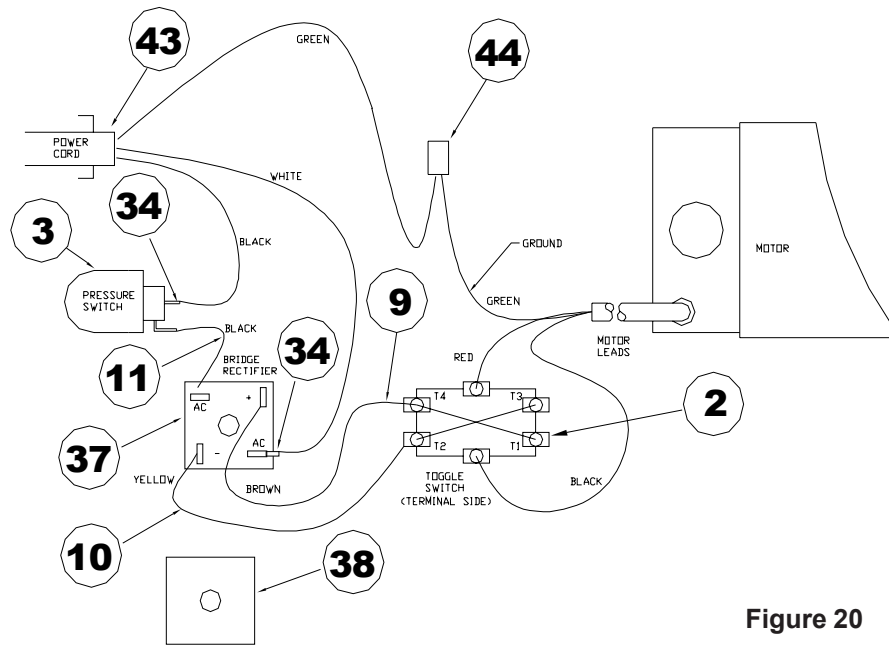
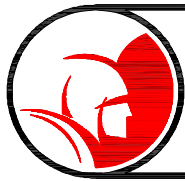


Figure 20

View of internal electrical components

Item	Qty	Part Number	Description
2	1	44221500	Forward Reverse Switch
3	1	44002600	Pressure Switch
9	1	44290700	Assy. Jumper Wire 5" Brown
10	1	44290800	Assy. Jumper Wire 5" Yellow
11	1	04647800	Assy. Jumper Wire 5" Black
34	2	44216100	Disconnect, .250 Female 16-14
37	1	44290500	Bridge Rectifier PM Motor
38	1	44290501	Pad, Thermo - Conductive
43	1	71103300	Power Cord 25' W/G.F.I.
44	1	79925700	Connector-Push-On 2 Wire



Model 300 Frame Assy 04217000



ITEM	QTY	PART NUMBER	DESCRIPTION
1	1	04202700	300 Auto Upper Front Cstg
2	1	44221500	Forward Reverse Switch
3	1	44002600	Pressure Switch
4	2	04205500	Crawler Tread Assy Universal
5	1	04206100	Handle Assy
6	1	44280900	Kit, Cord Wrap
7	1	02870500	Casting, Back 300 (Machined)
8	1	02871600	Lower Casting (Almag) 300
9	1	44290700	Jumper Wire, 5 in Brown
10	1	44290800	Jumper Wire, 5 in Yellow
11	1	44292200	Jumper Wire, 4 in Black
12	4	00113700	Screw, Hex Hd Cap 1/4-20 x 3/4
13	2	00116000	Screw, Hex Hd Cap 1/4-20 x 1/2
14	4	00116900	Screw, Hex Hd Cap 3/8-16 x 3/4
15	2	00140000	Square Nut 3/8-16 zinc plated
16	4	00162700	Washer, Flat 3/8 USS zinc pltd
17	4	00165400	Washer, Lock-split Medium 1/4
18	10	00167200	Washer, 3/8 Internal Tooth Lock
19	2	00167600	5/8 Lockwasher
20	2	01955201	Screw, Machine SLT 1/4-20 x 1/2
21	2	02920800	Nut, Hex Jam 5/8-18
22	6	02821100	Nut, Hex 3/8-24
23	4	02822400	Screw, Thumb 3/8-16 x 1
24	1	02823900	Screw, Machine 10-32 x 1
25	2	02824000	Phillips Fillister HD Mach
26	6	02826500	Screw, Hex Hd 3/8-24 x 1-1/4
27	2	02890100	Insulation Paper 2-3/16"
28	2	02897800	Rubber Tired Wheel 8 x 2.50
29	4	02934100	3/8-16 Hex Nut zinc pltd
30	1	03850100	Nut, Hex KEP 10-32 zinc pltd
31	1	04220200	Decal, Warning
32	1	04652700	Clamp, Stepless Ear 1/2"
33	4	44073500	Spacer or Small Standoff
34	2	44216100	Disconnect, .250 Female 16-14
35	12	44239600	Spacer-Nylon Flat Washer
36	1	44281400	Decal, 1065, 300,2001 Safety
37	1	44290500	Bridge Rectifier, PM Motor
38	1	44290501	Pad, Thermo-Conductive
39	2	44302400	Screw, Hex Hd Cap 5/8-18 x 3-1/2
40	1	44302800	Strain Relief-RT Angle
41	1	44302810	Nut, 1/2 NPT Nylon
42	1	44302900	Cover Outlet Box Mod 300
43	1	71103300	Power Cord 25' w/G.F.I.
44	1	79925700	Connector-Push-On 2 Wire
45	2	03850100	Nut, Hex KEP 10-32 zinc pltd